

**GENERAL ARTWORK DIMENSION**

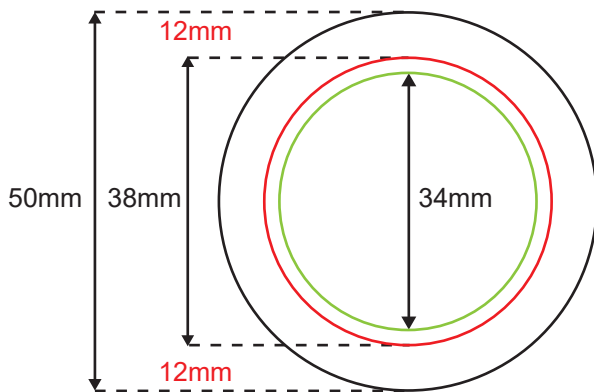
Bleeding : **6mm** from all sides of edges (Artwork Dimension)

Margin : **5mm** from all sides of edges (Safe Zone)

**i) Button Badge - 38mm Diameter**

Bleeding Size : 50mm diameter

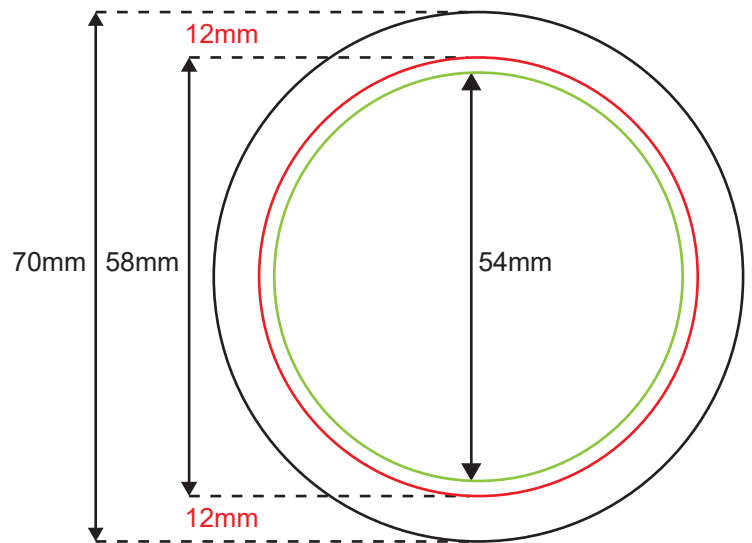
Safe Zone : 34mm diameter



**ii) Button Badge - 58mm Diameter**

Bleeding Size : 70mm diameter

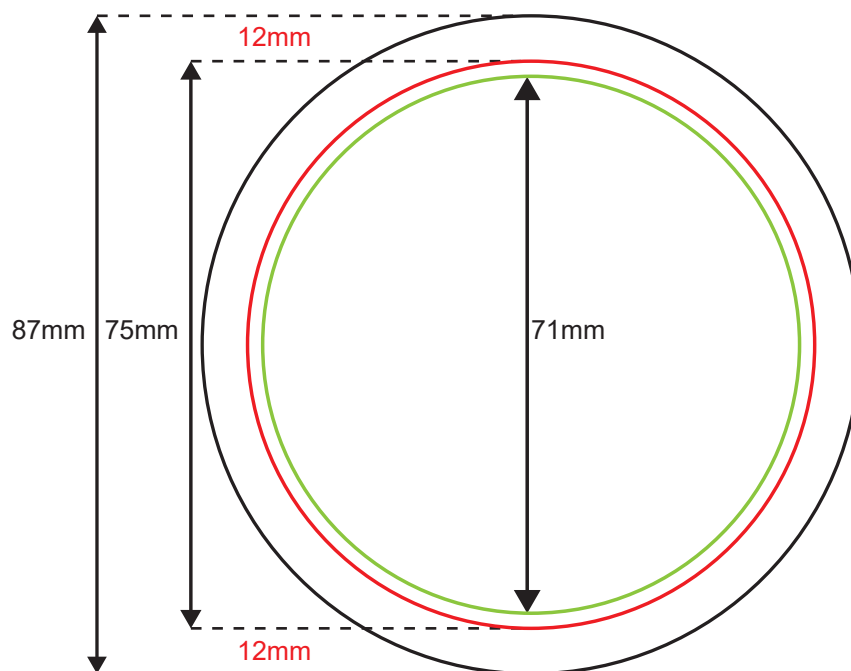
Safe Zone : 54mm diameter



**i) Button Badge - 75mm Diameter**

Bleeding Size : 87mm diameter

Safe Zone : 71mm diameter



— Bleeding Line      — Actual Size      — Safe Zone

## ARTWORK PREPARATION

---

1. Artwork can be a vector graphic(vector) , text , shape or solid color.
2. Artwork must be followed to the Die-line precaution. Please double check to ensure the artwork position is following to our setting.
3. Artwork is saved in latest format of Adobe Acrobat Document (.pdf)
4. PDF file for Button badge artwork must prepare as below:  
Page 1 : Printable Artwork (Which Bleed until Die-cutting line)

### EXAMPLE

Page 1: Printable Artwork



OUTCOME



**ARTWORK PRECAUTION**

We will **NOT** held any responsibility for the artwork prepared as below. Any artwork positioning variance of less than or equal to 1.0mm will **NOT** be given compensation. Refer scenario 1&2 in the table below as reference guideline.

Scenario 1

Perfect Outcome

Imperfect Outcome

Scenario 2

Perfect Outcome

Imperfect Outcome

Scenario 2 tells that, please make sure the artwork is in a **full bleed condition**, to prevent the risk of misregistration.